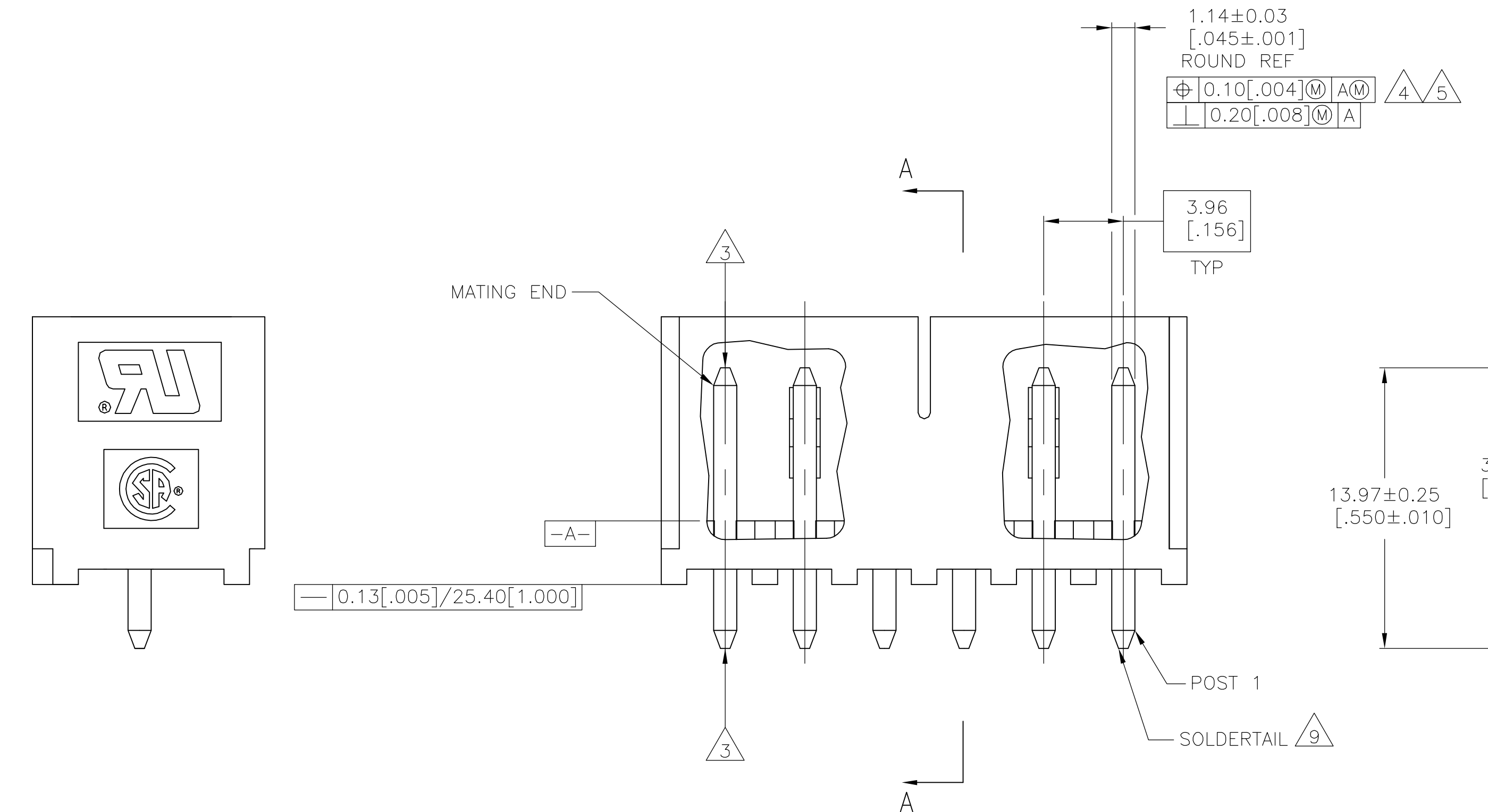
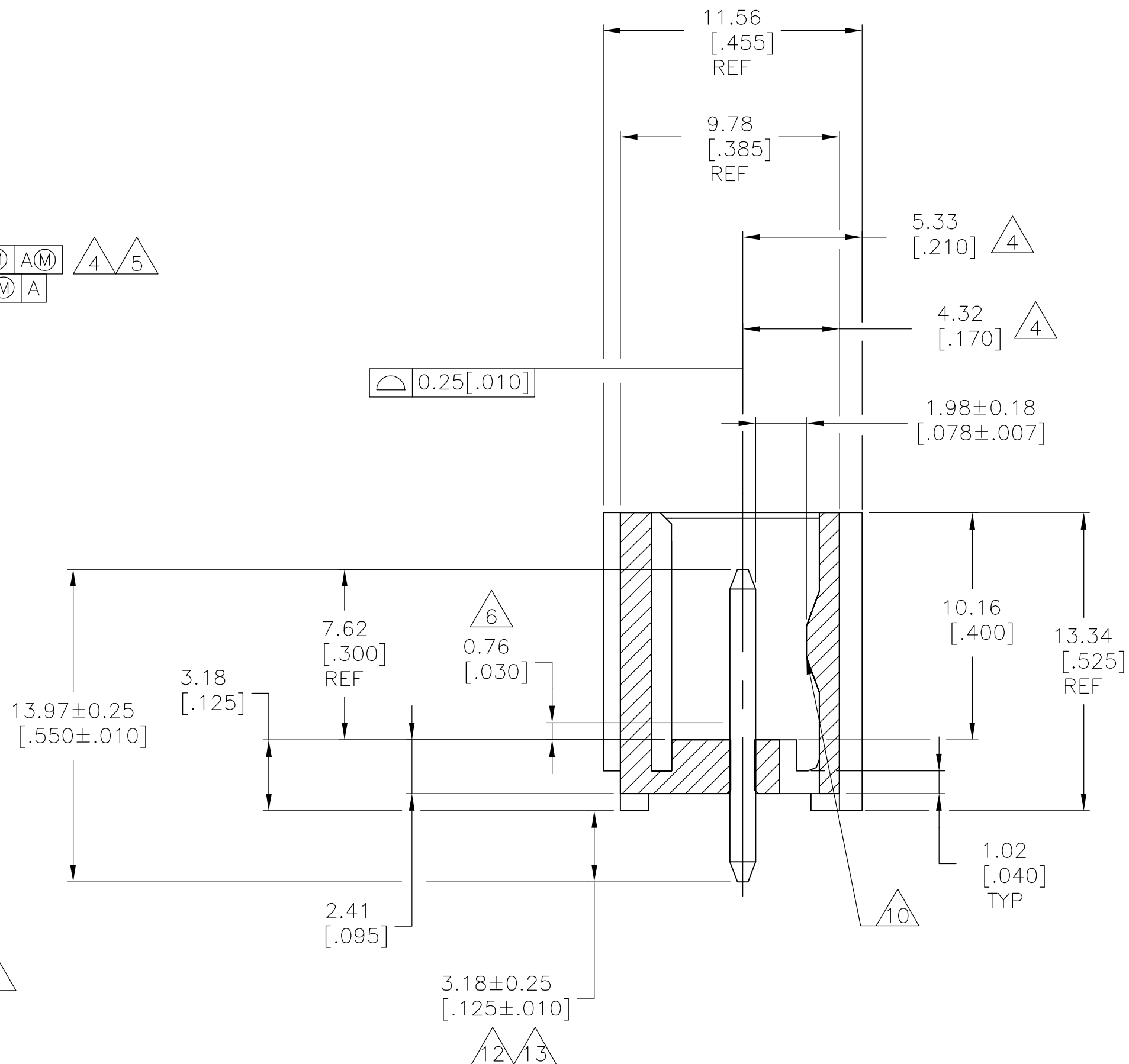


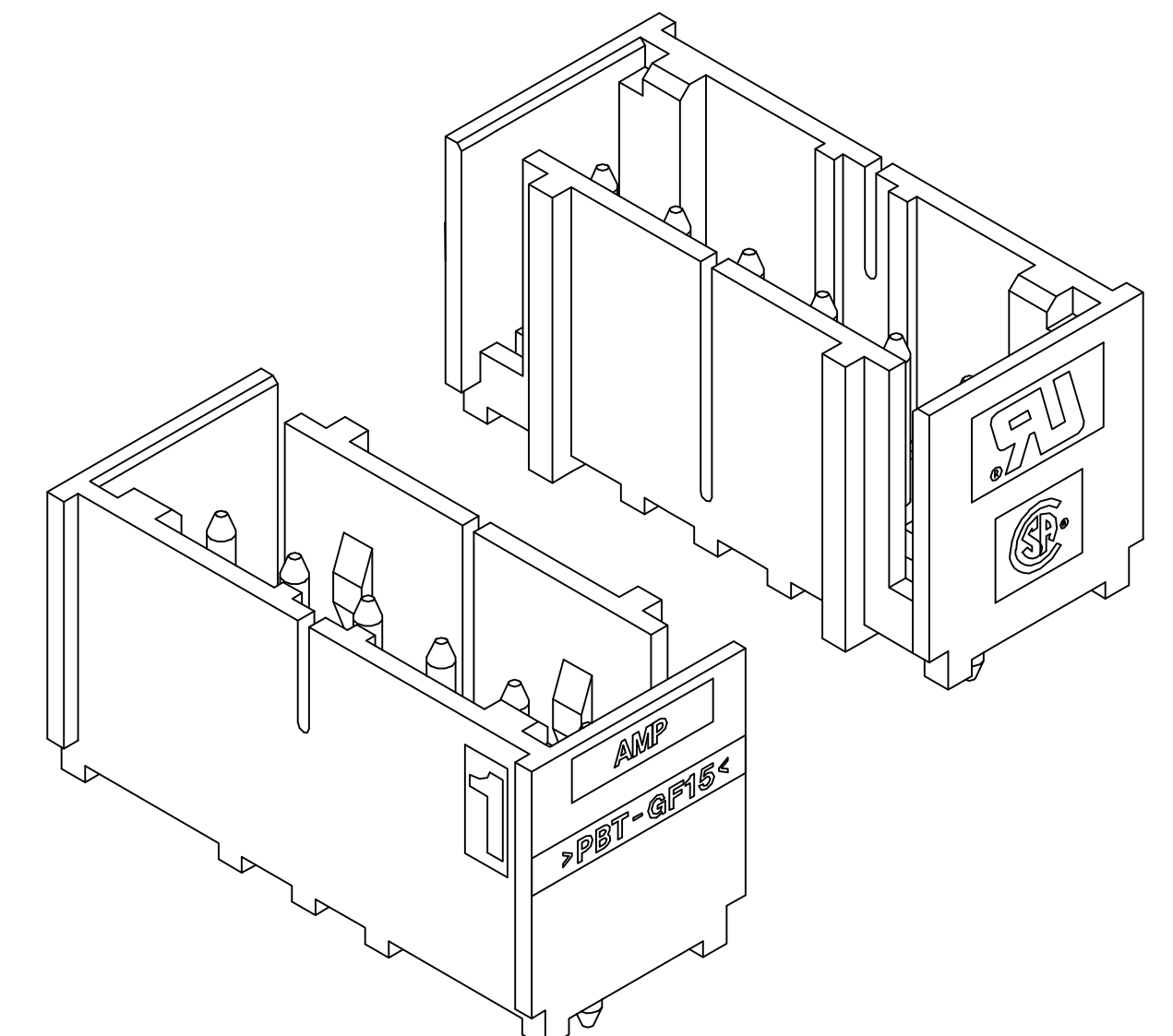
4 7
 2.29±0.08
 [.090±.003]
 TYP
 0.89
 [.035]
 REF



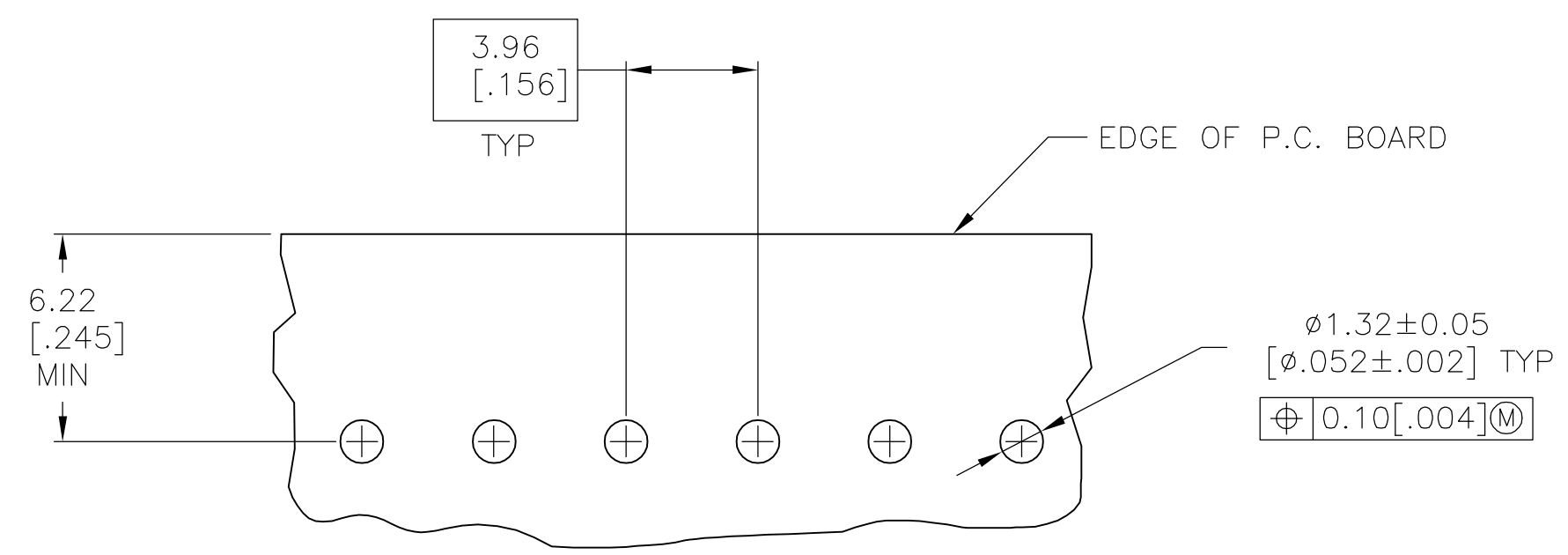
1.14±0.03
 [.045±.001]
 ROUND REF
 3.96
 [.156]
 TYP
 0.10[.004] M A M
 0.20[.008] M A
 4 5



SECTION A-A



3-DIMENSIONAL MODEL NTS



RECOMMENDED MOUNTING HOLE PATTERN FOR 1.57[.062] THICK P.C. BOARD 8

- MATERIAL:
HOUSING - THERMOPLASTIC POLYESTER, GLASS FILLED, UL94-0.
POST - COPPER ALLOY
- FINISH:
HOUSING - BLACK
POST - SEE NOTES 12 AND 13.
- POST TO WITHSTAND 3LBS (16N) MIN AXIAL FORCE IN THIS DIRECTION WITHOUT DISLODGING.
- APPLIES AT -A-.
- APPLIES WHEN HEADER IS STRAIGHT.
- PLASTIC PROJECTIONS PERMITTED IN THIS ZONE.
- COORDINATE DIMENSIONS APPLIES FROM CENTER OF ACTUAL FEATURE.
- SOLDER SIDE OF BOARD IS SHOWN.
- POST SOLDER TAIL MUST COMPLY WITH AMP SOLDERABILITY SPEC 109-11-2.
- LATCH DETENT FEATURE APPEARS 1 PLACE ON EACH END OF PART (MAX OF 2 PER PART) ON ALL POSITIONS 4 THRU 12. THE LATCH APPEARS ONLY ONE PLACE ON 2 & 3 POSITION PARTS.
- DIMENSIONS IN BRACKETS ARE IN INCHES.
- BRIGHT TIN LEAD (93/7) PLATE 0.00381 - 0.00889 [.000150 - .000350] THICK, OVER NICKEL UNDERPLATE 0.00127 [.000050] MIN THICK.
- MATTE TIN PLATE 0.00381 - 0.00889 [.000150 - .000350] THICK, OVER NICKEL UNDERPLATE 0.00127 [.000050] MIN THICK.

647124-6 SHOWN

13	49.94	1.966	12	3-647124-2	
	45.97	1.810	11	3-647124-1	
	42.01	1.654	10	3-647124-0	
	38.05	1.498	9	2-647124-9	
	34.09	1.342	8	2-647124-8	
	30.12	1.186	7	2-647124-7	
	26.16	1.030	6	2-647124-6	
	22.20	.874	5	2-647124-5	
	18.24	.718	4	2-647124-4	
	14.27	.562	3	2-647124-3	
	10.31	.406	2	2-647124-2	
	12	49.94	1.966	12	1-647124-2
		45.97	1.810	11	1-647124-1
42.01		1.654	10	1-647124-0	
38.05		1.498	9	647124-9	
34.09		1.342	8	647124-8	
30.12		1.186	7	647124-7	
26.16		1.030	6	647124-6	

PLATING	MM	IN	NO. OF POSN	PART NUMBER
	L	DIM		

THIS DRAWING IS A CONTROLLED DOCUMENT.

DIMENSIONS: mm [NCHES]	TOLERANCES UNLESS OTHERWISE SPECIFIED:	0 PLC ± -	1 PLC ± -	2 PLC ± -	3 PLC ± .005	4 PLC ± -	ANGLES ± -	FINISH
------------------------	--	-----------	-----------	-----------	--------------	-----------	------------	--------

APPROVED: D. CLARK
 DATE: 17JUN98
 DRAWING NO: A100779C=647124
 SCALE: 5:1 SHEET 1 OF 1 REV D

tyco Electronics
 Tyco Electronics Corporation
 Harrisburg, PA 17105-3608

MTA-156 SHROUDED HEADER ASSEMBLY, STRAIGHT .045 ROUND POST, TIN, W/O RETENTION PEG

